

ACESSÓRIOS PARA HASTE DE ATERRAMENTO

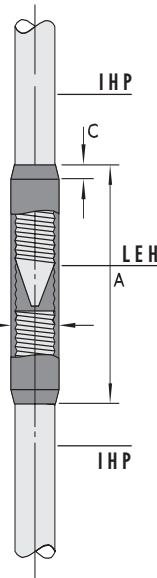
ACCESSORIES FOR COPPER COATED GROUND RODS

LEH - LUYA DE EMENDA

LEH - HIGH STRENGTH COUPLINGS

Fabricadas em liga de cobre, possuem rosca interna e chanfros nas extremidades, de modo a permitir a ligação perfeita entre as hastes prolongáveis IHP.

Made of high conductivity bronze these threaded coupling are chamfered on both ends to perfectly connect threaded Intelli copper bonded rods.



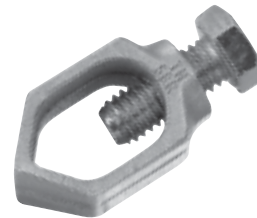
CÓDIGO INTELLI CAT. #	HASTE PROLONGÁVEL THREADED ROD SIZE	ROSCA UNC THREAD SIZE	DIMENSÕES DIMENSIONS mm		
			A	B	C
LEH-58-R	IHP-5/8"	5/8"	70	22,2	3,0
LEH-34-R	IHP-3/4"	3/4"	70	25,4	3,0
LEH-1-R	IHP-1"	1"	100	31,8	7,0

TH - GRAMPO DE ATERRAMENTO

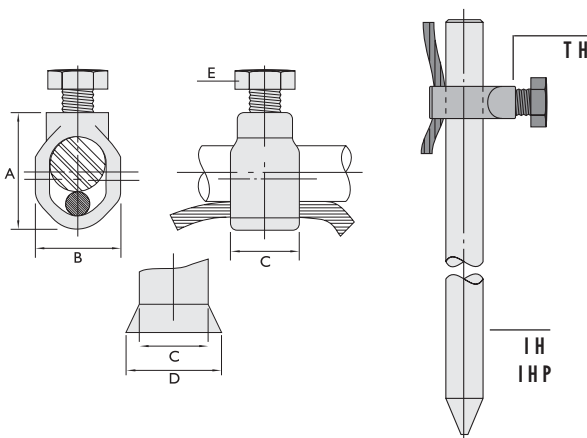
TH - GROUND RODS CLAMPS

Fabricados em liga de cobre de alta resistência mecânica, garantem a força de aperto nominal necessária entre os elementos de fixação. Parafuso pode ser feito de liga de cobre ou aço zincado.

Made of high strength copper alloy the TH clamps ensures perfect ground rod-to-conductor connection. Copper alloy or hot dip galvanized steel bolts.



CÓDIGO INTELLI CAT. #	DIÂMETRO NOMINAL HASTE NOMINAL GROUND ROD DIAMETER	CONDUTOR CONDUCTOR SIZE		DIMENSÕES DIMENSIONS mm				
		AWG	mm ²	A	B	C	D	E
	POLEGADA INCHES							
TH-12-58	1/2" - 5/8"	8 - 1/0	10 - 50	33,5	25,5	12,0	-	5/16"
TH-12-58-R	1/2" - 5/8"	8 - 1/0	10 - 50	42,0	31,5	19,5	-	M 10
TH-58	5/8"	8 - 1/0	10 - 50	36,0	22,0	17,0	21,0	3/8"
TH-58-R	5/8"	8 - 1/0	10 - 50	36,0	22,0	17,0	21,0	M 10
TH-34	3/4"	8 - 1/0	10 - 50	42,0	26,0	17,0	21,0	3/8"
TH-34-R	3/4"	8 - 1/0	10 - 50	42,0	27,0	17,0	21,0	M 10
TH-1	1"	8 - 1/0	10 - 50	69,0	44,0	38,0	-	M 10
TH-1-R	1"	8 - 1/0	10 - 50	69,0	44,0	38,0	-	M 10



ACESSÓRIOS PARA HASTE DE ATERRAMENTO

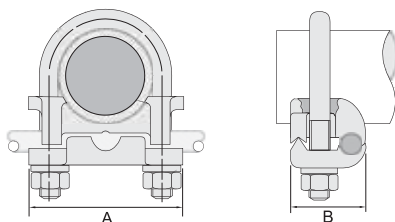
ACCESSORIES FOR COPPER COATED GROUND RODS

GTDU - GRAMPO TERRA DUPLO COM PARAFUSO TIPO 'U'

GTDU - 'U' BOLT GROUNDING CONNECTOR FOR SINGLE CONDUCTOR

Grampo para haste ou tubo IPS de aterramento. Fabricado em bronze de alta condutibilidade elétrica e resistência mecânica. Parafuso tipo 'U', porcas e arruelas de pressão em liga de cobre ou aço zincado. Permite fixar os condutores paralelamente ou a 90°.

Made of high conductivity and high mechanical strength bronze. For ground rod to conductor and IPS pipe to conductor connections. 'U' bolt, nuts and washers made of copper alloy or hot dip galvanized steel. Conductors can be accommodated on a 90-degree or parallel position.



CÓDIGO INTELLI CAT. #	DIÂMETRO HASTE GROUND ROD DIAMETER	TUBO IPS IPS TUBE	CONDUTOR CONDUCTOR SIZE AWG / MCM		DIMENSÕES DIMENSIONS mm		PARAFUSO 'U' 'U' BOLT SIZE
	POLEGADA INCHES		MÍNIMO MIN.	MÁXIMO MAX.	A	B	
GTDU 1/4" IPS 8 - 4	1/2"	1/4"	8	4	53	34	M 10
GTDU 1/4" IPS 4 - 2/0	1/2"	1/4"	4	2/0	55	39	M 10
GTDU 3/8" IPS 8 - 4	5/8" - 3/4"	3/8"	8	4	54	34	M 10
GTDU 3/8" IPS 4 - 2/0	5/8" - 3/4"	3/8"	4	2/0	52	40	M 10
GTDU 3/8" IPS 2/0 - 250	5/8" - 3/4"	3/8"	2/0	250	54	47	M 10
GTDU 3/8" IPS 300 - 500	5/8" - 3/4"	3/8"	300	500	63	59	M 12
GTDU 1/2" - 3/4" IPS 8 - 4	7/8" - 1"	1/2" - 3/4"	8	4	59	41	M 10
GTDU 1/2" - 3/4" IPS 4 - 2/0	7/8" - 1"	1/2" - 3/4"	4	2/0	61	42	M 10
GTDU 1/2" - 3/4" IPS 2/0 - 250	7/8" - 1"	1/2" - 3/4"	2/0	250	62	47	M 10
GTDU 1/2" - 3/4" IPS 300 - 500	7/8" - 1"	1/2" - 3/4"	300	500	62	60	M 10
GTDU 1" IPS 8 - 4	-	1"	8	4	67	34	M 10
GTDU 1" IPS 4 - 2/0	-	1"	4	2/0	72	42	M 10
GTDU 1" IPS 2/0 - 250	-	1"	2/0	250	72	56	M 10
GTDU 1" IPS 300 - 500	-	1"	300	500	76	61	M 12
GTDU 1.1/4" IPS 2/0 - 250	-	1.1/4"	2/0	250	76	47	M 10
GTDU 1.1/2" IPS 8 - 4	-	1.1/2"	8	4	83	45	M 10
GTDU 1.1/2" IPS 4 - 2/0	-	1.1/2"	4	2/0	81	41	M 10
GTDU 1.1/2" IPS 2/0 - 250	-	1.1/2"	2/0	250	81	46	M 10
GTDU 2" IPS 8 - 4	-	2"	8	4	96	34	M 10
GTDU 2" IPS 4 - 2/0	-	2"	4	2/0	96	36	M 10
GTDU 2" IPS 2/0 - 250	-	2"	2/0	250	96	47	M 10
GTDU 2" IPS 300 - 500	-	2"	300	500	103	61	M 12
GTDU 2.1/2" IPS 8 - 4	-	2.1/2"	8	4	110	42	M 10
GTDU 2.1/2" IPS 4 - 2/0	-	2.1/2"	4	2/0	107	42	M 10
GTDU 2.1/2" IPS 2/0 - 250	-	2.1/2"	2/0	250	110	47	M 10
GTDU 2.1/2" IPS 300 - 500	-	2.1/2"	300	500	117	62	M 12
GTDU 3" IPS 8 - 4	-	3"	8	4	120	35	M 10
GTDU 3" IPS 4 - 2/0	-	3"	4	2/0	125	45	M 10
GTDU 3" IPS 2/0 - 250	-	3"	2/0	250	127	47	M 10
GTDU 3.1/2" IPS 4 - 2/0	-	3.1/2"	4	2/0	145	46	M 10
GTDU 4" IPS 8 - 4	-	4"	8	4	151	33	M 10
GTDU 4" IPS 4 - 2/0	-	4"	4	2/0	150	42	M 10
GTDU 4" IPS 2/0 - 250	-	4"	2/0	250	152	48	M 10
GTDU 5" IPS 2/0 - 250	-	5"	2/0	250	188	60	M 12